

HuaTian

HPC-2000

Instruction:

HPC-2000 is the intelligent display pressure controller combining with pressure measure, display and control together. The product is full electronics construction. The front part uses piezoresistive pressure sensor with isolated diaphragm as the sensing element, sensor output signal is amplified by high accurate and low temperature drift circuit, transferring into A/D convertor and transforming into digital signal. The processed signal controls two relays and then measure and monitor pressure. The product is used flexibly and easily calibrated, can be used for pressure measure, display and control for power station, tap water, petroleum, chemi-industry, engineer and liquid pressure, ect

Features:

- 4-digital display
- 4 relays/PNP/Analog signal/RS485 optional
- Φ60 orΦ100 dial diameter optional
- Easy setup menu, can achieve a variety of functions
- High sensitivity, high precision

Applications:

- Hydraulic/Pneumatic Control Systems
- Energy and Water Management
- Automation equipment
- Process control
- Chemical



Specifications(Refer to 25°C)

Sensor Type	Diffused silicon	Operable Temp. (°C)	-20~85°C
Wetted parts	316L Stainless steel	Storage Temp (°C)	-20°C...125°C
Housing	304 Stainless steel	Long term stability	±0.10%FS(annual)
Sealing method	Welding	Zero error (%FS)	±0.5%
Pressure reference	Absolute /Vent Gauge/ Seal Gauge	Full range error (%FS)	±0.5%
		Thermal Zero drift (%FS) *	±1.0%
Connector Outlet	IP65	Thermal Span drift (%FS) *	±1.0%
Cable Outlet	IP65	Over pressure	3X Full Range
Pressure port	M20*1.5 or others	Input Voltage / Output	See below code description
	X Customized	Response	1KHz
Accuracy (Combined Non-linearity, Hysteresis and Non-repeatability) %FS	0.5%(Typical)	Insulation	Min1MΩ @250VDC&25°C
		Shock	100g, 11msec
Pressure Range(Bar)	0...600	Noise	< 2m VRMS
Life	>10 ⁷ Full Range Pressure	Weight	350g Max.

- Thermal drift refer to 25°C output

HuaTian **HPC-2000**

HPT-2000 pressure transducer model code

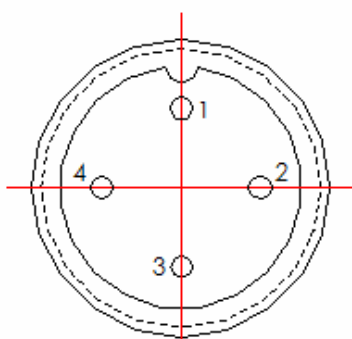
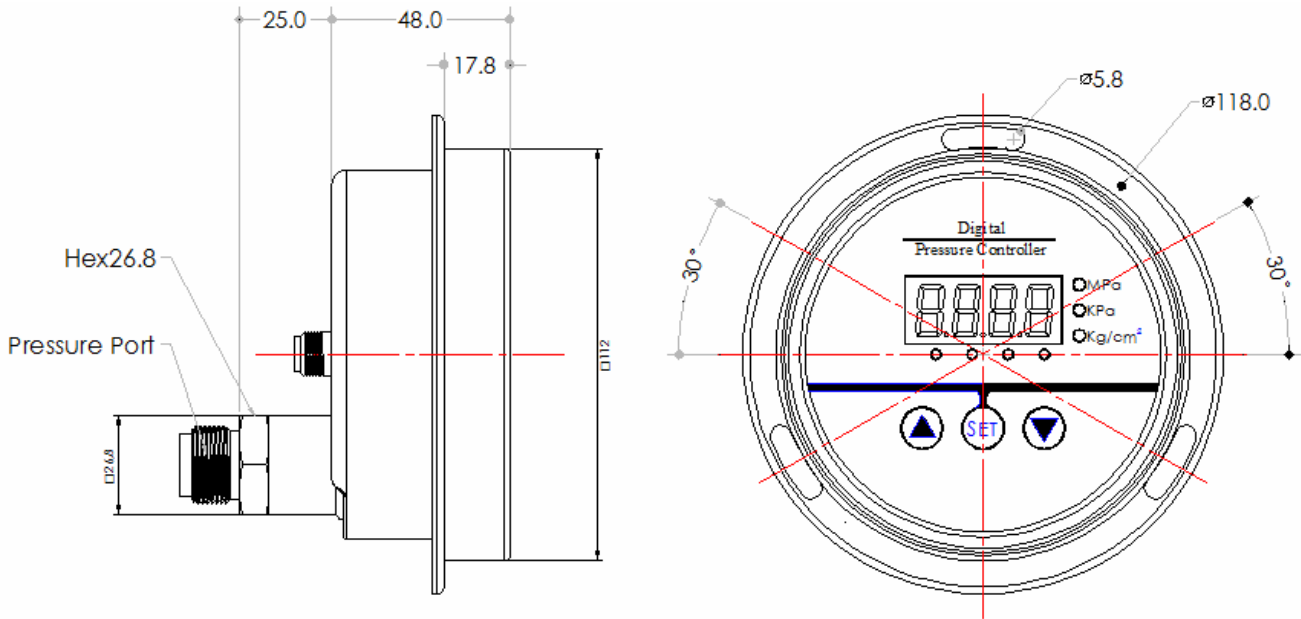
Model	Description							
HPC-2000	Digital pressure controller							
	Range/Code	Pressure unit						
	0-X P	Pa						
	0-X K	Kpa						
	0-X B	Bar						
	0-X M	Mpa						
	0-X S	PSI						
		Code	Output Signal					
		E	4-20mA two wire					
		F	1-5V					
		J	0-5V					
		Q	0-10V					
		U	4 relays					
		R2	RS232					
		R4	RS485					
		N	NPN					
		Z	others					
			Code	Accuracy (%FS)				
			J1	0.1				
			J2	0.25				
			J3	0.5				
			Code	Pressure port				
			C1	M20*1.5				
			C2	M14*1.5				
			C3	G1/2				
			C4	G3/8				
			C5	G1/4				
			C6	1/2NPT				
			C7	1/4NPT				
			C8	ZG1/4				
			X	Customized				
				Code	I/O Outlet			
				B6	Aviation Plug(8 core cable)			
				X	Customized			
				Code	Pressure reference			
				G	Vent Gauge			
				A	Absolute			
					Code	display		
					M2	LED		

Example:

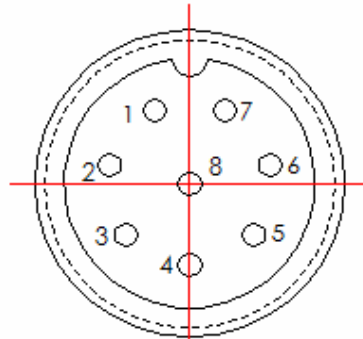
HPC-2000	10B	E	J2	C3	X	G	M2	
HPC-2000	10Bar	4-20mA	0.25%	G1/2	Customized	Gauge	Led	

Model Choose:HPC-2000-10B-EJ2C3XGM2

Outline Drawing:



Connector
(4Core)



Connector
(8Core)