

HuaTian

HPT-3

Instruction:

HPT-3 intelligent pressure transmitter is an intelligent pressure measurement product with high accuracy, high stability, multi-parameter and four digits LCD display. It conforms to Hart protocol. The product uses the most advanced digital technique, and reliable ex-proof construction for production and whole product has high accuracy, and local display indicator could be widely used on pressure measure in outdoor application, such as petroleum, chemi-industry, metallurgy and power station, etc. For signal output 4-20mA,RS485 and RS232 are optional.

Features:

- 4 1/2 digit LCD Display
- Fully digital signal processing
- RS485/RS232 connection (Up to 512 nodes)
- Anti electromagnetic interference Design
- Suitable for harsh environment

Applications:

- Hydraulic/Pneumatic Control Systems
- Chemical
- Power Generation
- Process control
- Oil and gas



Specifications(Refer to 25°C)

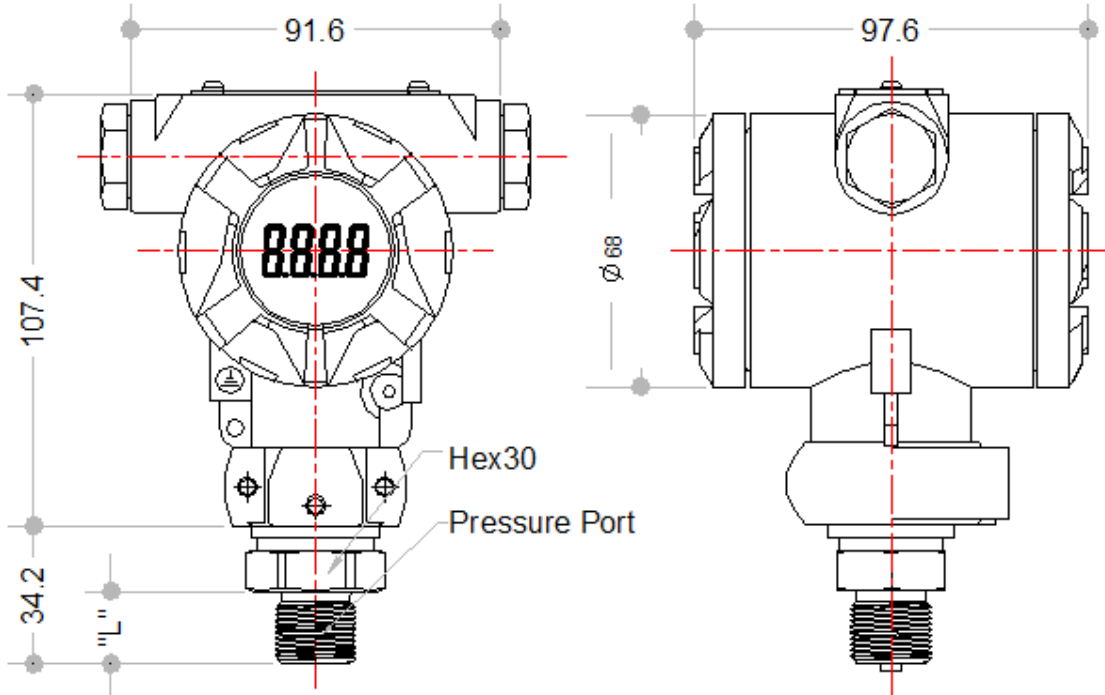
Sensor Type	Piezoresistive	Operable Temp. (°C)	-20~85°C
Wetted parts	316L Stainless steel	Storage Temp (°C)	-40°C...125°C
Sealing method	O-ring	Long term stability(annual)	±0.25%FS(Typical)
Housing material	Aluminum alloy	Zero error (%FS)	±0.5%
Damping	Adjustable	Full range error (%FS)	±0.5%
Protection grade	IP66	Thermal Zero drift (%FS) *	±2.0%
Pressure port	See below code description	Thermal Span drift (%FS) *	±2.0%
Accuracy (Combined Non-linearity, Hysteresis and Non-repeatability) %FS	0.5%(Typical),0.25%,0.1%	Input Voltage / Output	See below code description
Pressure Range(Bar)	0~0.1...600Bar	Response	1KHz
Over pressure	3X Full Range	Insulation	Min1MΩ @250VDC&25°C
Burst pressure	4X Full Range or 20kpsi which is less	Shock	100g, 11msec
Life	>10 ⁷ Full Range Pressure	Noise	< 2m VRMS
		Pressure reference	Absolute /Vent Gauge/ Seal Gauge
		Weight	950g Max.

- Thermal drift refer to 25°C output

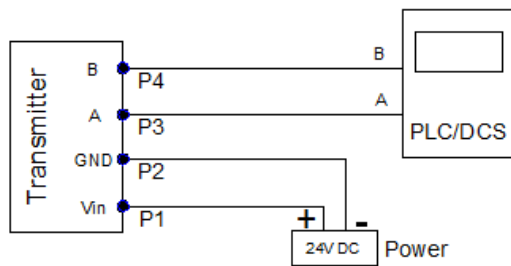
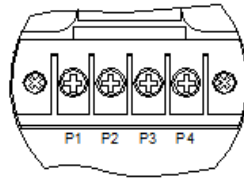
HuaTian HPT-3

HPT-3 pressure transducer model code								
Model	Description							
HPT-3	Smart industrial pressure transmitter							
	Range/Code	Pressure unit						
	0-X P	Pa						
	0-X K	Kpa						
	0-X B	Bar						
	0-X M	Mpa						
	0-X S	PSI						
	0-X m	mh2o						
	Code	Output Signal						
	E	4-20mA+Hart Protocol						
	R2	RS485						
	R3	RS232						
	Z	others						
	Code	Accuracy (%FS)						
	J1	0.1						
	J2	0.25						
	J3	0.5						
	Code	Pressure port						
	C1	M20*1.5						
	C3	G1/2						
	C4	G3/8						
	C5	G1/4						
	C6	1/2NPT						
	C7	1/4NPT						
	C8	ZG1/4						
	X	Customized						
	Code	I/O Outlet						
	B1	Direct cable						
	X	Customized						
	Code	Pressure reference						
	G	Vent Gauge						
	A	Absolute						
	Code	Others						
	M1	LCD						
	M2	LED						
	B	EXIAII CT6						
	G	EXIAIICT6Gb						
Example								
HPT-3	10B	E	J3	C3	X	G	M1	
HPT-3	10Bar	4-20mA	0.5%	G1/2	Customized	Gauge	LCD	
Model Choose:HPT-3-10B-EJ3C3XGM1								

Outline Drawing:



Electric Circuit:



Pin	
1	Vsupply+ (Vs+)
2	Vsupply- (Vs-)
3	A
4	B

Output: RS485/RS232/Hart

Pressure Port Dimension:

Code	Pressure port	"L" (mm)
C1	M20*1.5	16
C2	M14*1.5	14
C3	G1/2	16
C4	G3/8	
C5	G1/4	12
C6	1/2NPT	
C7	1/4NPT	13.8
C8	ZG1/4	13.8